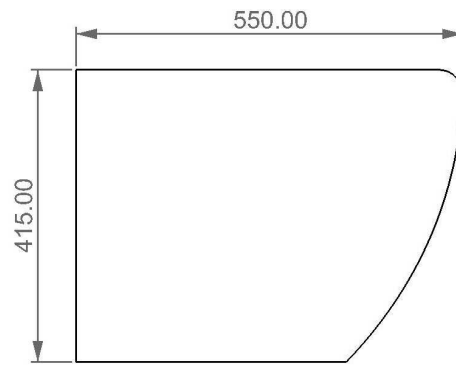
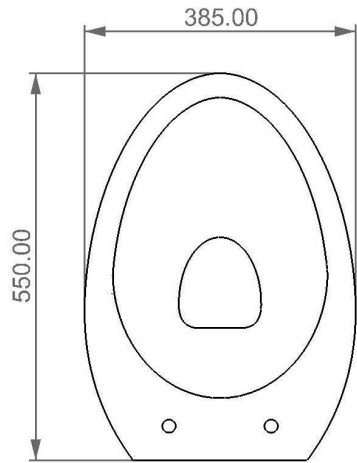


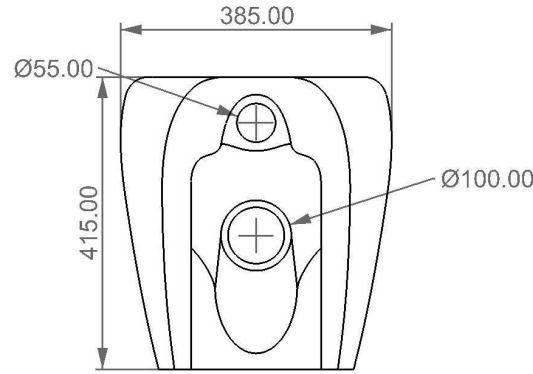
FRONT



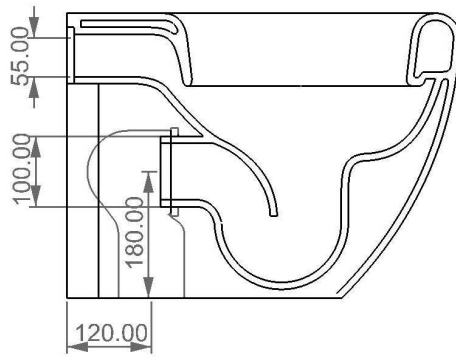
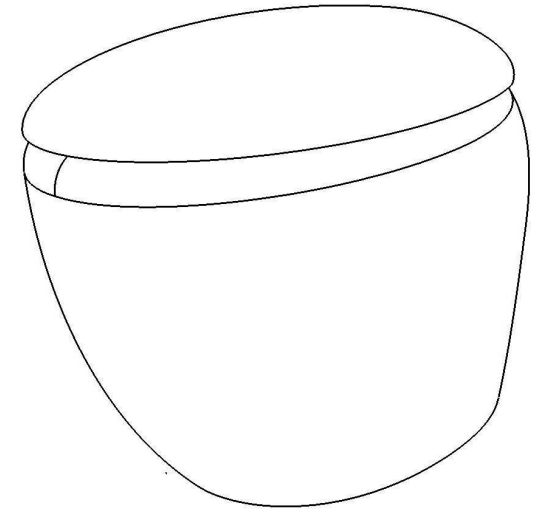
LEFT



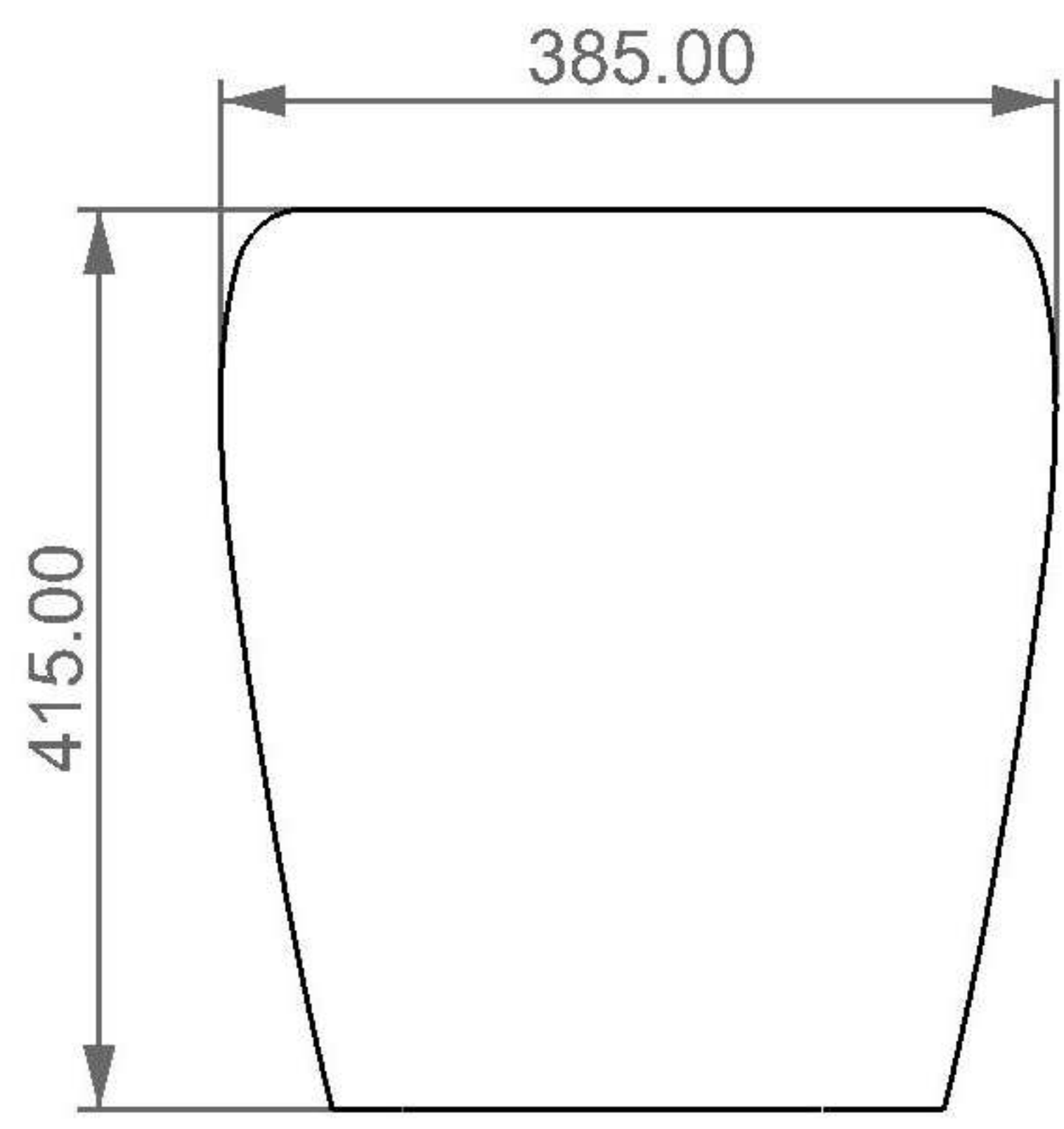
TOP



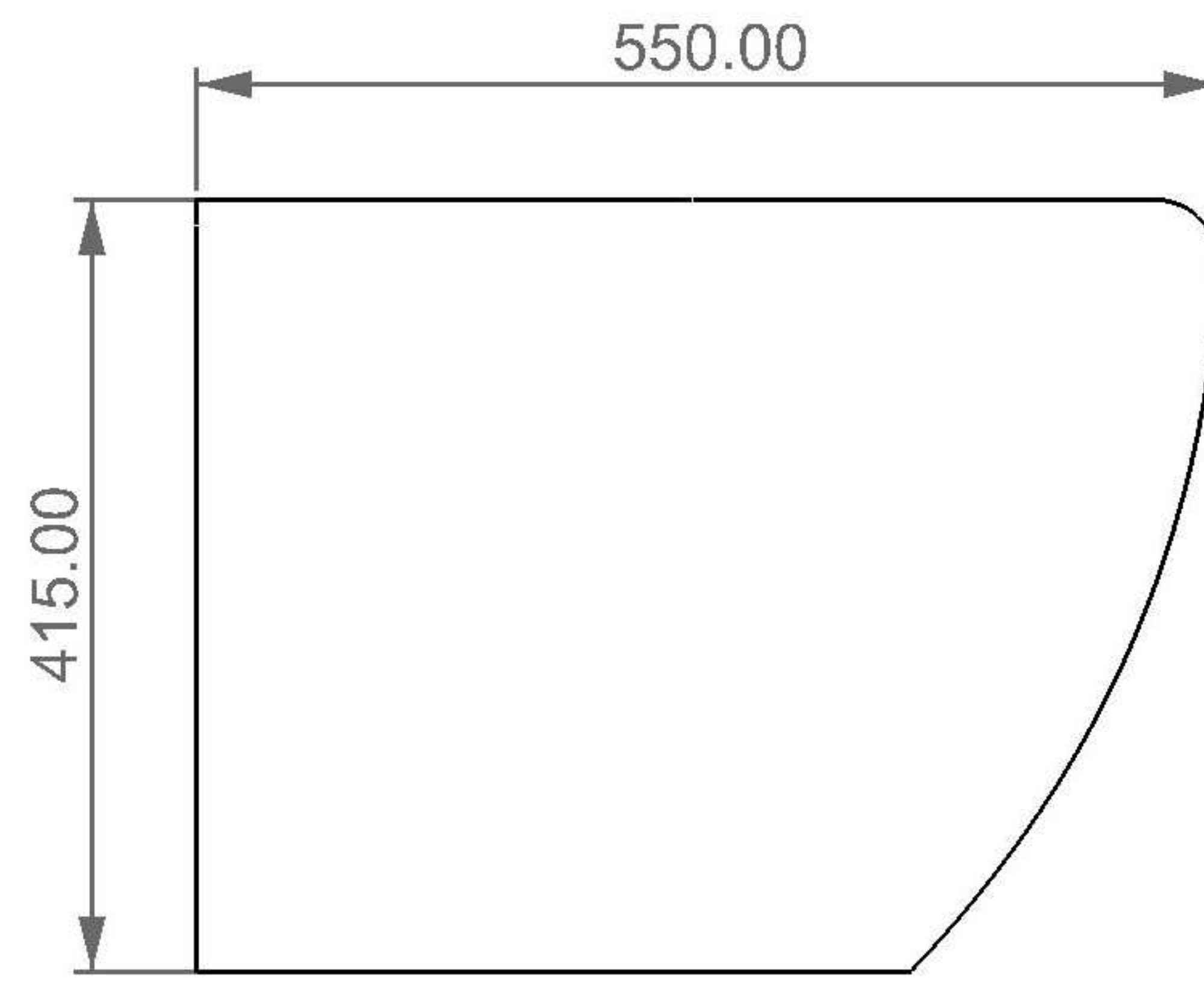
REAR



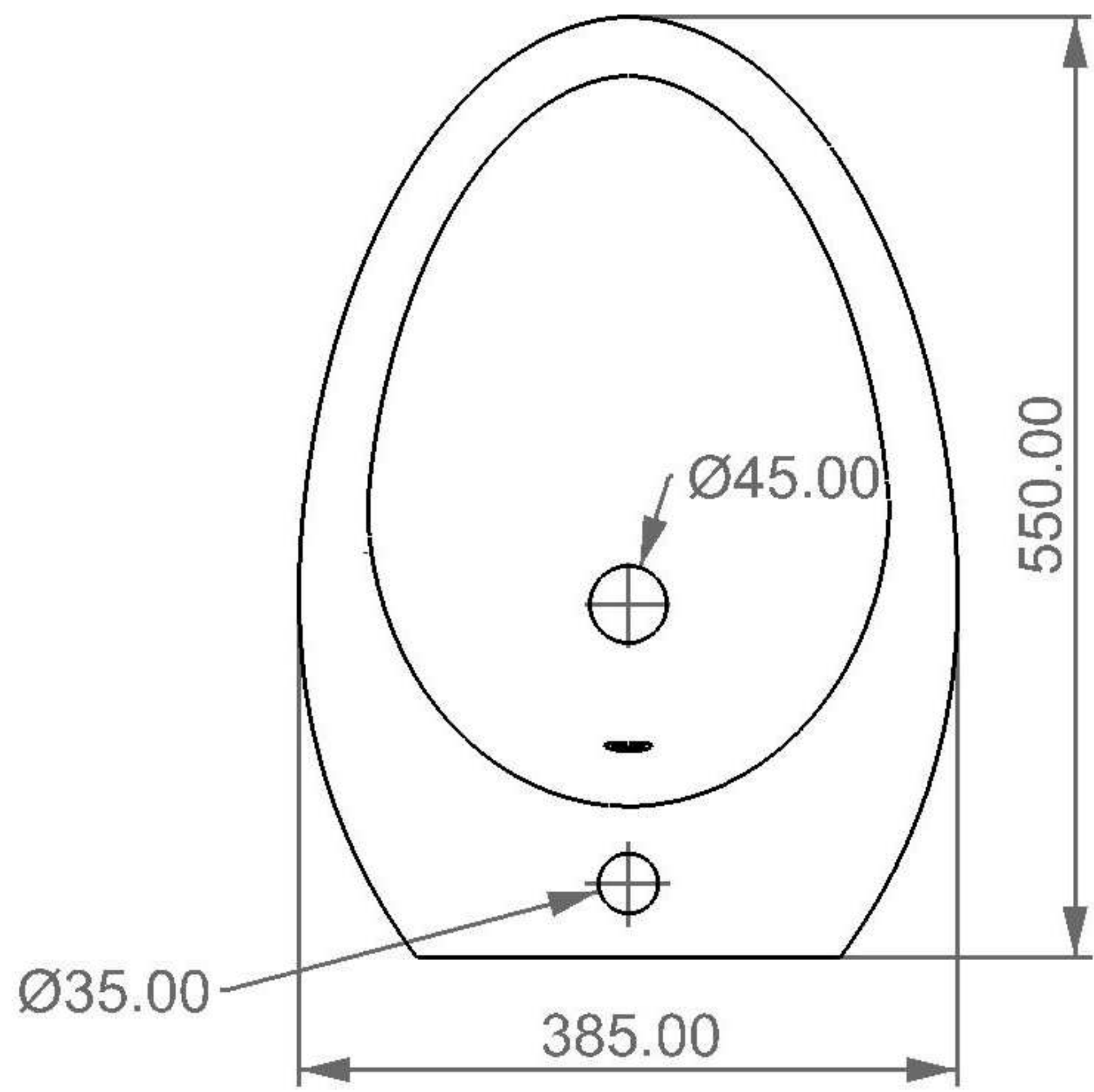
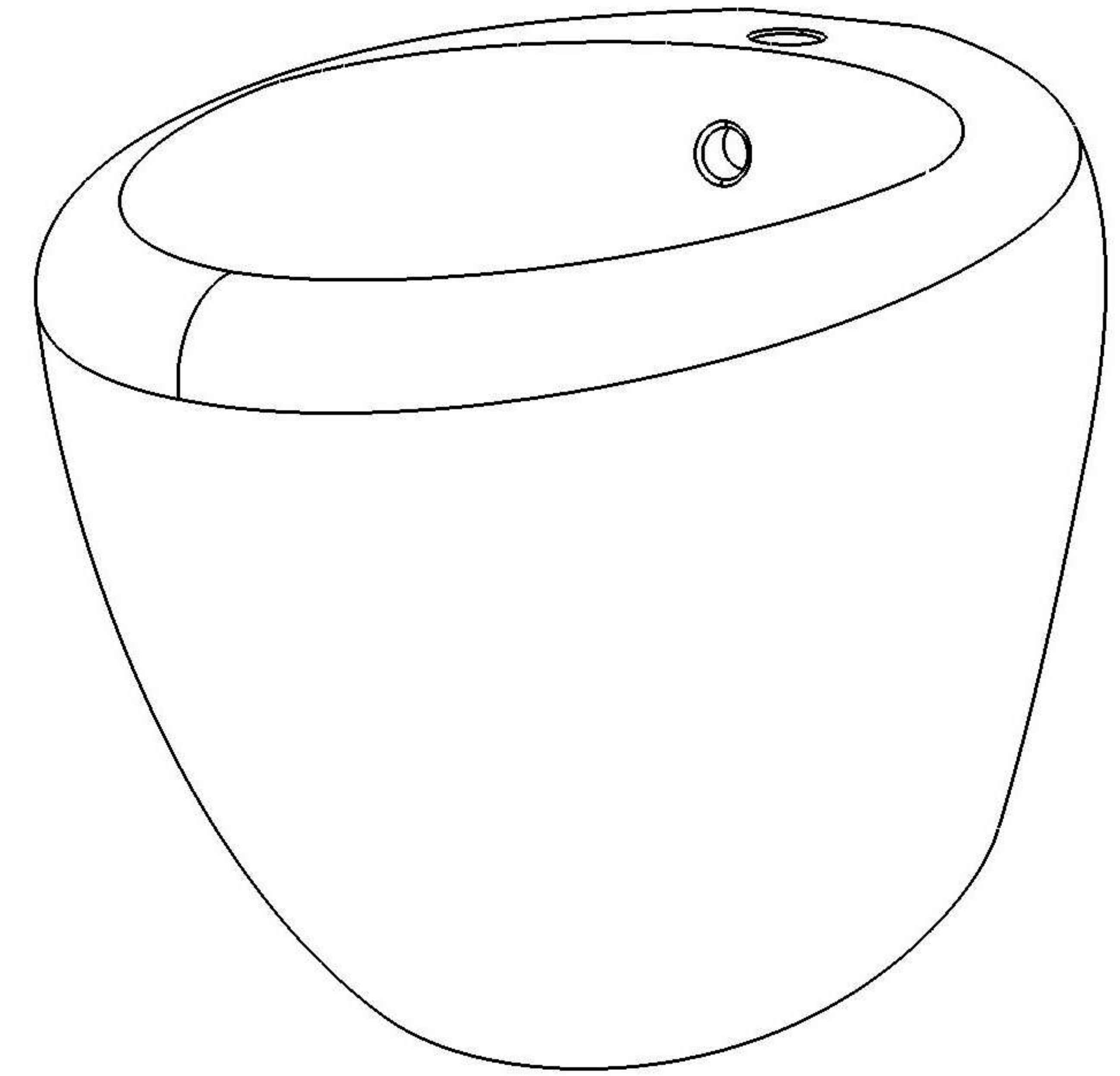
SECTION



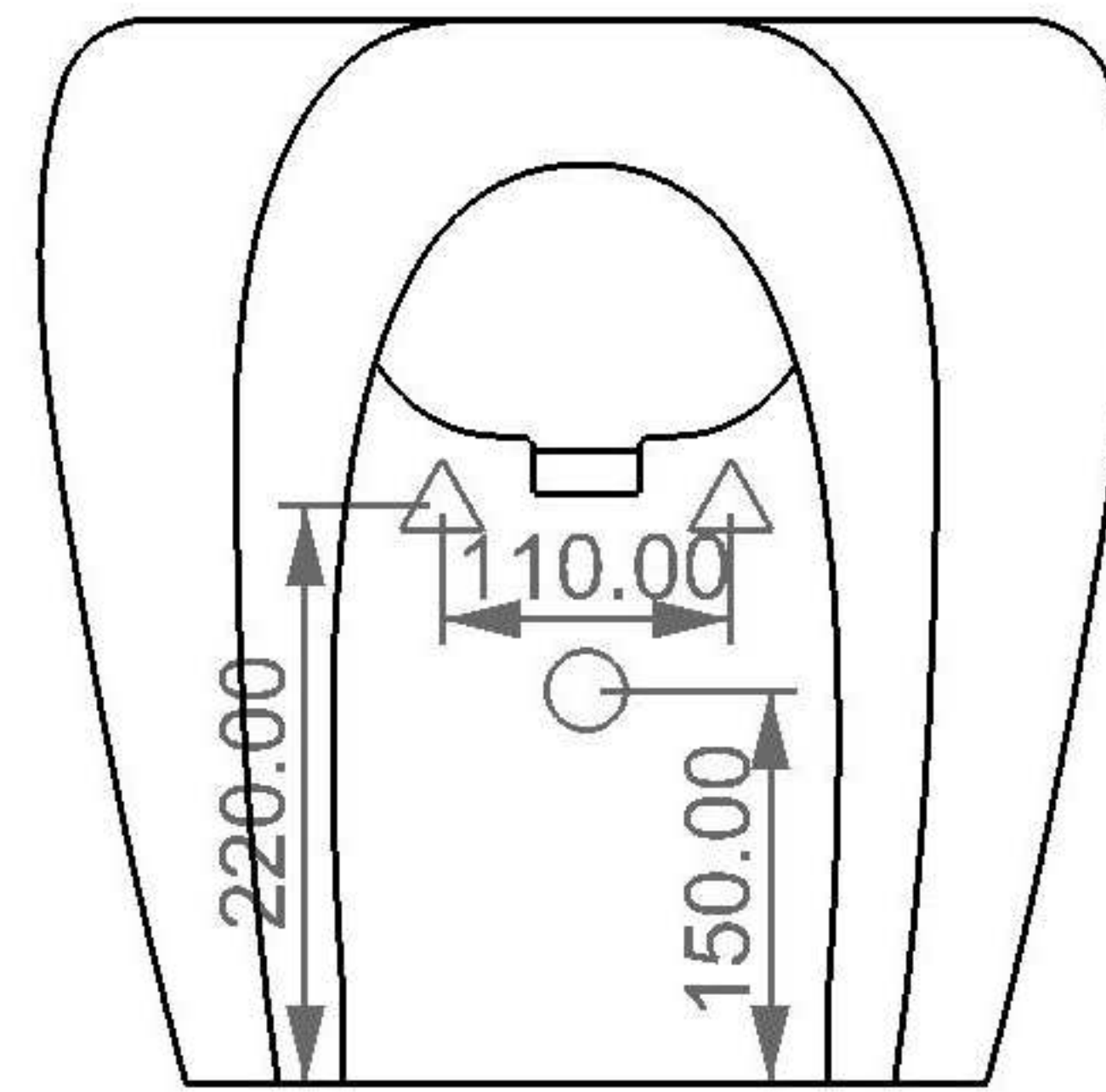
FRONT



LEFT



TOP



REAR

