

Design Alessandro Paoletti

SHARM QUADRATA

1500x1500x h 680 mm (650 lt)

GUSCIO E PANNELLO: ACRILICO BIANCO

SHELL AND SKIRT: WHITE ACRYLIC



Optional

Il cuscino da appoggio è un optional esclusivamente per le vasche SHARM.

The cushion is an exclusive Sharm option

SISTEMI IDROMASSAGGIO / WHIRLPOOL SYSTEMS (pag. 226)



IDRO+

WHIRLPOOL + CROMOTERAPIA
WHIRLPOOL + CHROMOTHERAPY
Whirlpool jets: n. 16



IDRO-TECNO

WHIRLPOOL + AIRPOOL +
CROMOTERAPIA + DISINFEZIONE
WHIRLPOOL + AIRPOOL
CHROMOTHERAPY + DISINFECTION
Whirlpool jets: n. 16
Airpool jets: n. 18

N.B. Date le dimensioni della vasca abbiamo progettato il sistema idro della Sharm 1500x1500 con due circuiti whirlpool per mantenere un'esperienza di benessere totale.

NOTE: Given the size of the bathtub we have engineered the whirlpool system of the Sharm 1500x1500 with two whirlpool circuits in order to offer a total wellness experience

RUBINETTERIA / TAPS (pag. 227)



4 FORI
Four-hole tap set



3 FORI
Three-hole tap set

Colonna di scarico con erogatore
Overflow drain inclusive of fill spout

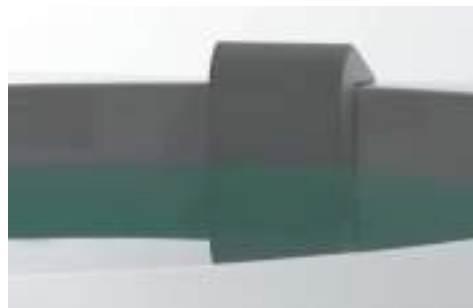


1500 mm

1500 mm



680 mm



Cuscino poggiatesta
Headrest cushion



Getti airpool
Airpool jets



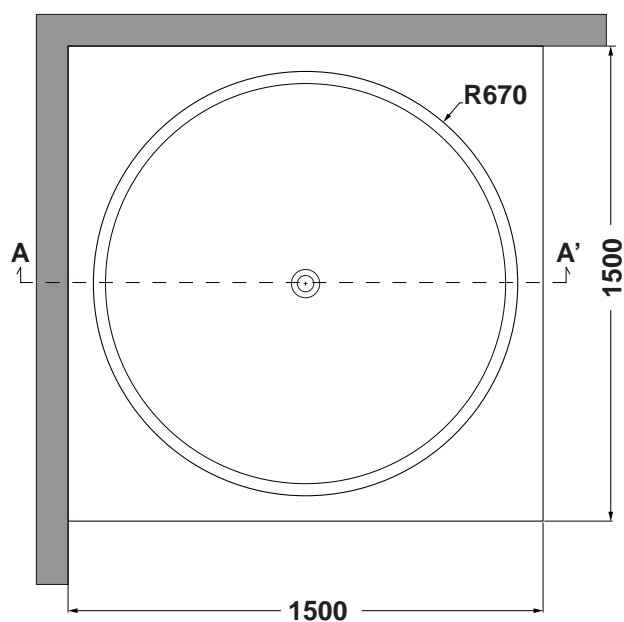
Getto whirlpool
Whirlpool jet

VASCA IN ACRILICO 150X150

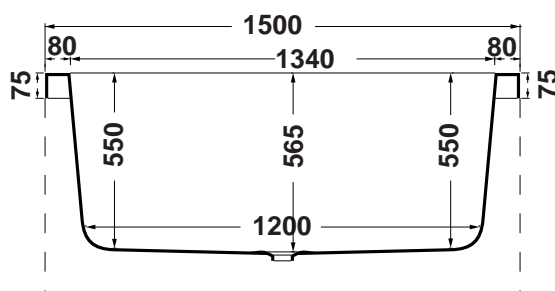
ACRYLIC BATHTUB 150X150

DATI TECNICI

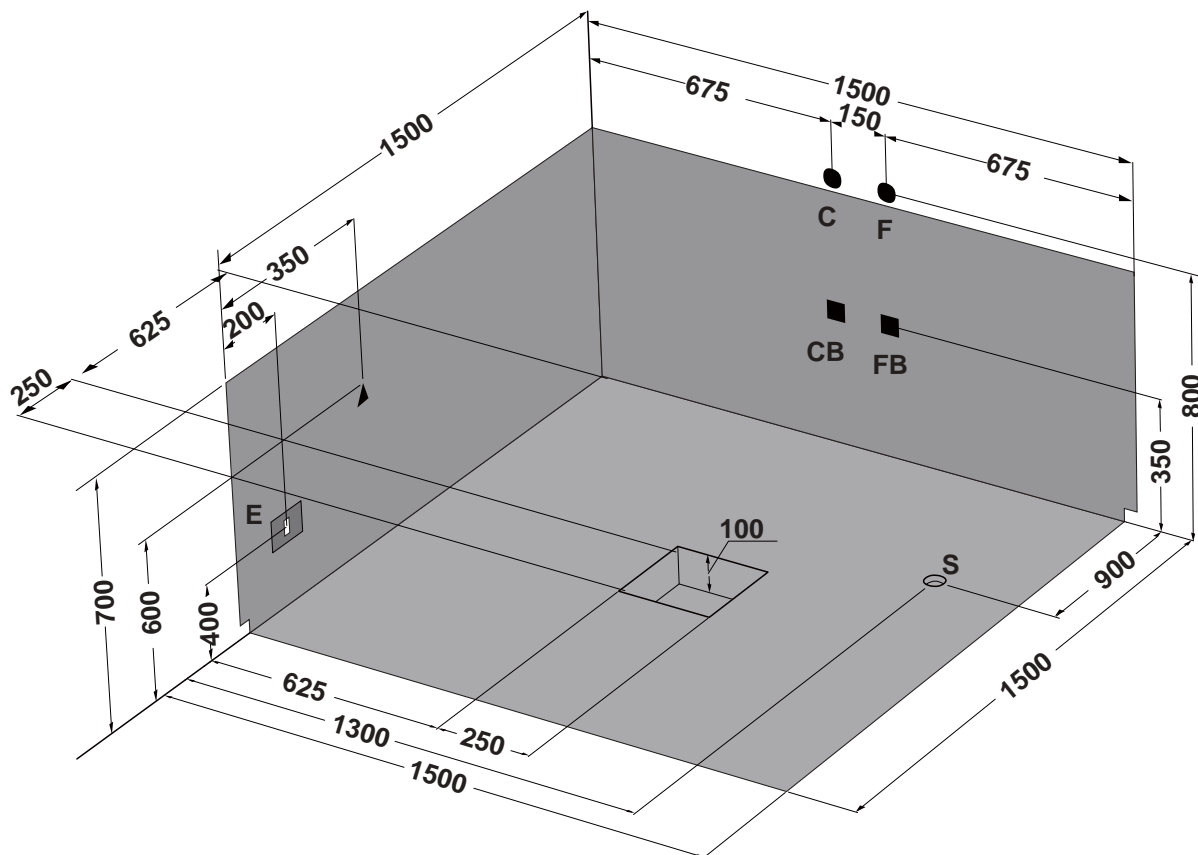
TECHNICAL INFO



Vista in pianta
plan view



Sezione A/A'
Section A/A'



Ingombro vasca proiettato nel muro

Bath overall dimensions as projected on the wall

VASCA IN ACRILICO 150X150

DATI TECNICI

ACRYLIC BATHTUB 150X150

TECHNICAL INFO

| I | CARATTERISTICHE IDRAULICHE | *CARATTERISTICHE ELETTRICHE | REQUISITI DI PREINSTALLAZIONE | COMBINAZIONI RUBINETTERIA |
|--|----------------------------|--|--|--|
| <p>N.B. L'INSTALLAZIONE DEVE AVVENIRE A PAVIMENTO E PARETI FINITE</p> <p>Peso netto: Kg 92 Peso spedizione: Kg 97 Volume spedizione: m3 = 0,777 Contenuto acqua: Lt 650</p> | Numero jets: 16 | V HZ KW A 220/240 50/60 0.78 4.5 | C : Allaccio acqua calda rubinetteria parete: 1/2" F : Allaccio acqua fredda rubinetteria parete: 1/2" CB : Allaccio acqua calda bordo vasca: 1/2" FB : Allaccio acqua fredda bordo vasca: 1/2" S : Allaccio scarico incassato a pavimento: 1-1/2" E : Allaccio elettrico idromassaggio: IPX5 | C F : Rubinetteria parete ● ● CFT : Rubinetteria parete con erogazione troppopieno ● ● ● ● CB BF : Rubinetteria bordo vasca ■ ■ |
| | jets airpool : 18 | ELETTRICO POMPA AIRPOOL V HZ KW A 220/230 50/60 0.65 3 | | |
| GB | WATER SYSTEM SPECIFICATION | *POWER SYSTEM SPECIFICATION | CONDITION REQUIRED BEFORE THE INSTALLATION | TAPS COMBINATION |
| <p>N.B. THE INSTALLATION MUST BE CARRIED OUT WITH FLOOR AND WALLS ALREADY TILED</p> <p>Net weight: Kg 92 total weight with package: Kg 97 Volume with package: m3 = 0,777 Water capacity: Lt 650</p> | Numero jets: 16 | V HZ KW A 220/240 50/60 0.78 4.5 | C : Wall taps outlet for hot water: 1/2" F : Wall taps outlet for cold water: 1/2" CB : Bath edge taps outlet for hot water: 1/2" FB : Bath edge taps outlet for cold water: 1/2" S : Drainage outlet installed in the floor: 1-1/2" E : Power outlet for the whirlpool: IPX5 | C F : Wall taps ● ● CFT : Wall taps with water supply by overflowing ● ● ● ● CB BF : Bath edge taps ■ ■ |
| | jets airpool : 18 | ELECTRO PUMP AIRPOOL V HZ KW A 220/230 50/60 0.65 3 | | |
| F | WATER SYSTEM SPECIFICATION | POWER SYSTEM SPECIFICATION | CONDITION REQUIRED BEFORE THE INSTALLATION | TAPS COMBINATION |
| <p>N.B. THE INSTALLATION MUST BE CARRIED OUT WITH FLOOR AND WALLS ALREADY TILED</p> <p>Net weight: Kg 92 total weight with package: Kg 97 Volume with package: m3 = 0,777 Water capacity: Lt 650</p> | Numero jets: 16 | V HZ KW A 220/240 50/60 0.78 4.5 | C : Wall taps outlet for hot water: 1/2" F : Wall taps outlet for cold water: 1/2" CB : Bath edge taps outlet for hot water: 1/2" FB : Bath edge taps outlet for cold water: 1/2" S : Drainage outlet installed in the floor: 1-1/2" E : Power outlet for the whirlpool: IPX5 | C F : Wall taps ● ● CFT : Wall taps with water supply by overflowing ● ● ● ● CB BF : Bath edge taps ■ ■ |
| | jets airpool : 18 | ELECTRO PUMP AIRPOOL V HZ KW A 220/230 50/60 0.65 3 | | |

* I valori raddoppiano se vengono azionate le due pompe dell' idromassaggio

* The values double when the whirlpool's two pumps are activated