

MBF 65 S



Mobile FORMA a terra finitura cemento
FORMA floor standing cabinet cement finish

codice
code

MBF S 65 OS

Mobile FORMA a terra finitura olmo bianco
FORMA floor standing cabinet white elm finish

MBF S 65 OB

Mobile FORMA a terra finitura olmo naturale
FORMA floor standing cabinet natural elm finish

MBF S 65 ON

Mobile FORMA a terra finitura cemento
FORMA floor standing cabinet a terra cement finish

MBF S 65 OS

Mobile FORMA a terra finitura olmo bianco
FORMA floor standing cabinet white elm finish

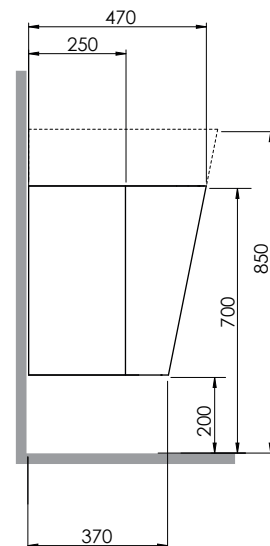
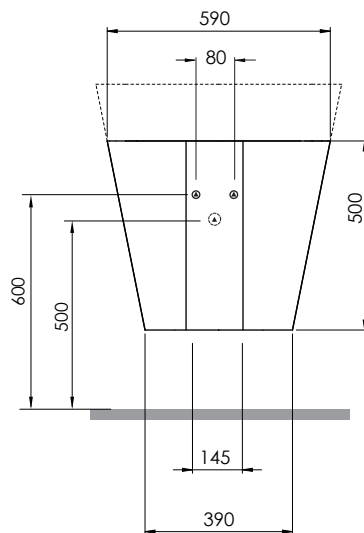
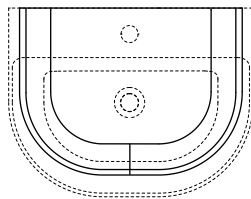
MBF S 65 OB

Mobile FORMA a terra finitura olmo naturale
FORMA floor standing cabinet natural elm finish

MBF S 65 ON

Cm59X47XH50

kg



scala/scale 1:20 dimensioni/dimensions in mm

Gamma di colori disponibile per MOBILE

Color range available for FURNITURE



Olmo finitura bianco
White elm finish



Olmo finitura naturale
Natural elm finish



finitura cemento
Concrete finish

TECHNICAL SHEET n°: 01	DESIGNER: OFFICINA AZZURRA	CODE: MBF 65 S	Azzurra sanitari in ceramica S.p.a. via Civita Castellana snc 01030 Castel S.Elia (VT) - ITALY Tel.+39.0761 518155 Fax.+39.0761 514560		
SHEET FORMAT: A4	ISO	REVISION: 01	SCALE: 1:20	DATE: 06/11/2019	
REGULATIONS All the measurements respect the tolerances provided by the "AZZURRA QUALITY GUIDELINES".					