

MBB 50 S



Mobile BUILD sospeso finitura cemento
BUILD wall hung cabinet cement finish

codice
code

MBB S 50 S

Mobile BUILD sospeso finitura olmo bianco
BUILD wall hung cabinet white elm finish

MBB S 50 B

Mobile BUILD sospeso finitura olmo naturale
BUILD wall hung cabinet natural elm finish

MBB S 50 N

Mobile BUILD sospeso finitura cemento
BUILD wall hung cabinet a terra cement finish

MBB S 50 S

Mobile BUILD sospeso finitura olmo bianco
BUILD wall hung cabinet white elm finish

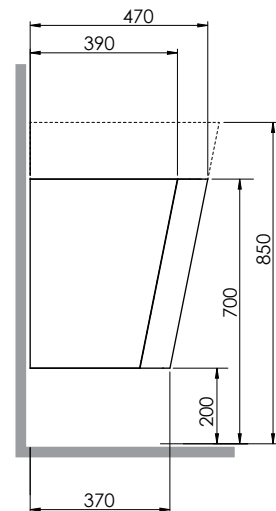
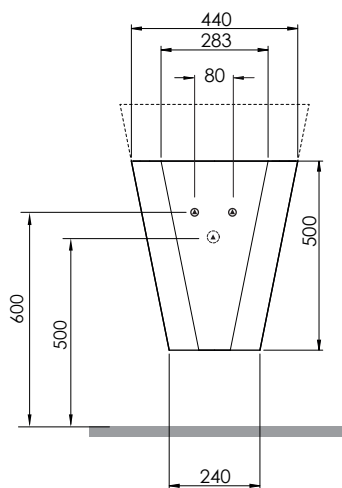
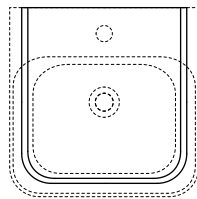
MBB S 50 B

Mobile BUILD sospeso finitura olmo naturale
BUILD wall hung cabinet natural elm finish

MBB S 50 N

Cm44X47XH50

kg



scala/scale 1:20 dimensioni/dimensions in mm

Gamma di colori disponibile per MOBILE

Color range available for FURNITURE



Olmo finitura bianco
White elm finish



Olmo finitura naturale
Natural elm finish



finitura cemento
Concrete finish

TECHNICAL SHEET n°: 01	DESIGNER: OFFICINA AZZURRA	CODE: MBB 50 S	Azzurra sanitari in ceramica S.p.a. via Civita Castellana snc 01030 Castel S.Elia (VT) - ITALY Tel.+39.0761 518155 Fax.+39.0761 514560		
SHEET FORMAT: A4	ISO	REVISION: 01	SCALE: 1:20	DATE: 06/11/2019	
REGULATIONS All the measurements respect the tolerances provided by the "AZZURRA QUALITY GUIDELINES".					