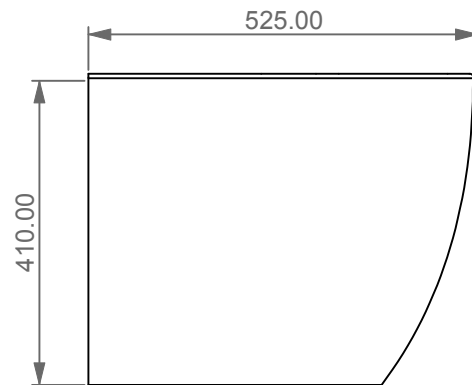
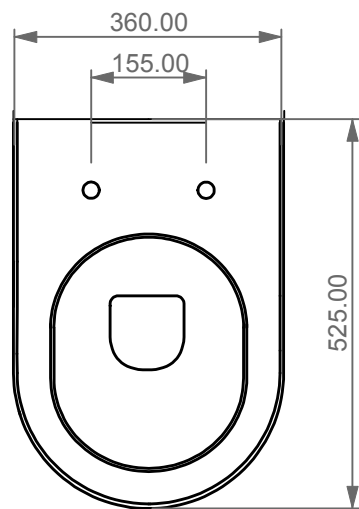


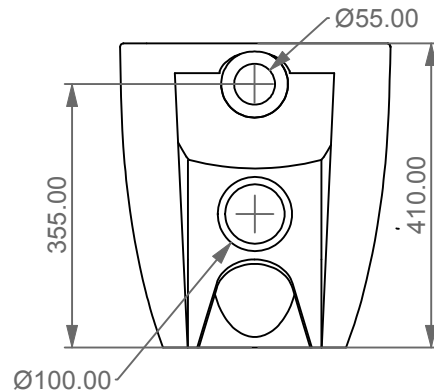
FRONT



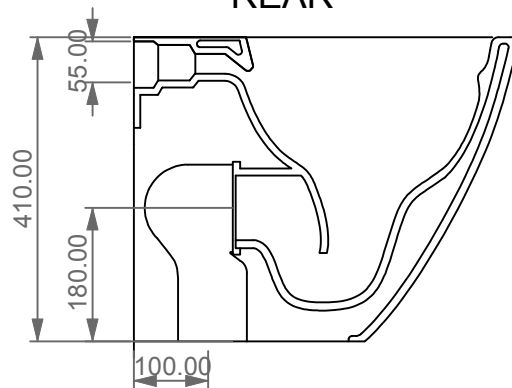
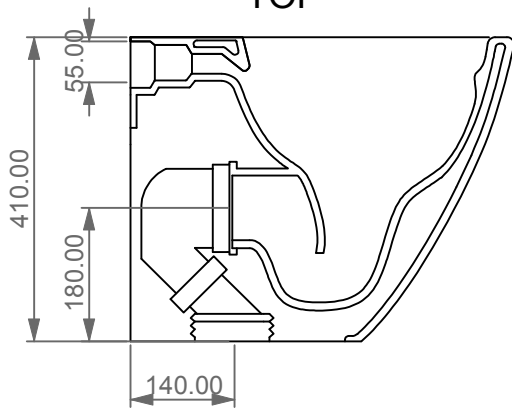
LEFT



TOP



REAR

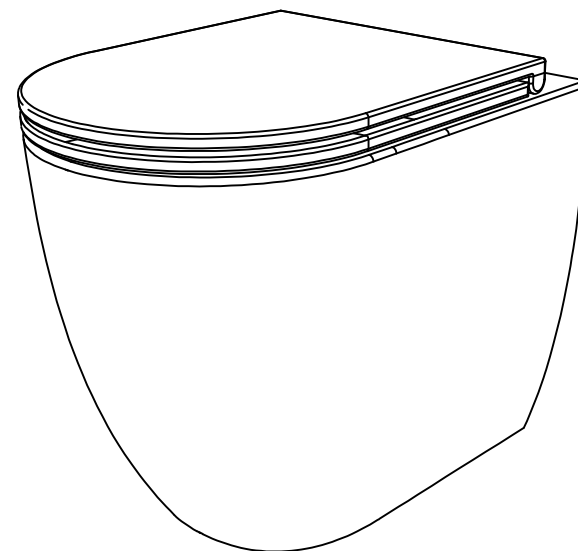


SECTION

Con connessione eccentrica per scarico a suolo.
With outlying drainage connector for floor trap.

GSG
CERAMIC DESIGN

Vaso a terra Like senza brida
con sistema di scarico Smart Clean
Like wc back to wall rimless
with Smart Clean flushing system



Designation
Vaso a terra Like senza brida
con sistema di scarico Smart Clean
Like wc back to wall rimless
with Smart Clean flushing system

Scale
1:10

cod. LKWC01

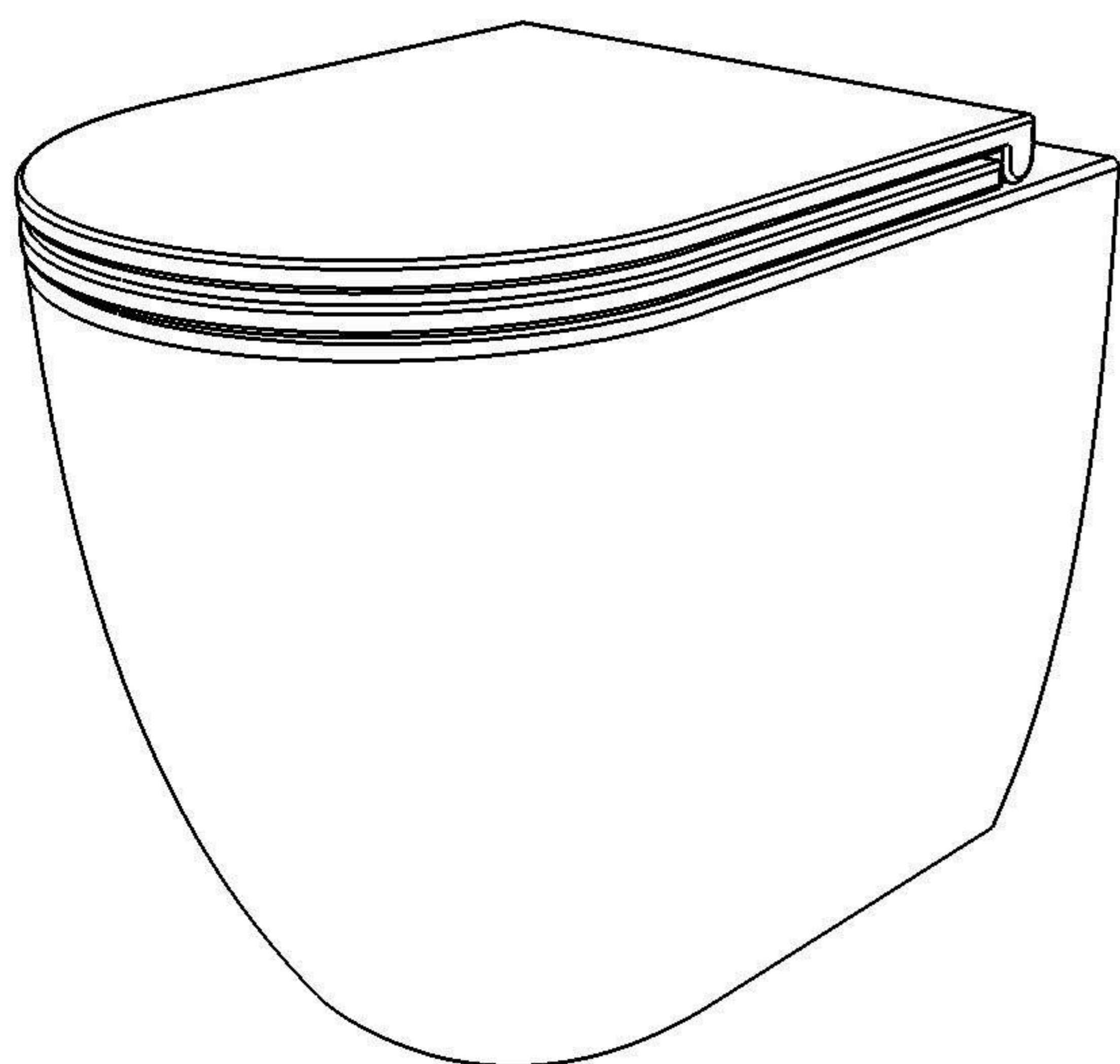
GSG
CERAMIC DESIGN

This drawing including the respected data may neither be duplicated nor modified nor altered without the consent of GSG Ceramic Design. The use of the data/technical drawings take place at users own risk and under exclusion of any liability of GSG Ceramic Design. The dimensions are not binding; products are subject to changes. Measurement shown may be subjected to small variations or are indicative.

Vaso terra Like con
sistema di scarico Smart Clean

*Like wc back to wall with
Smart Clean flushing system*

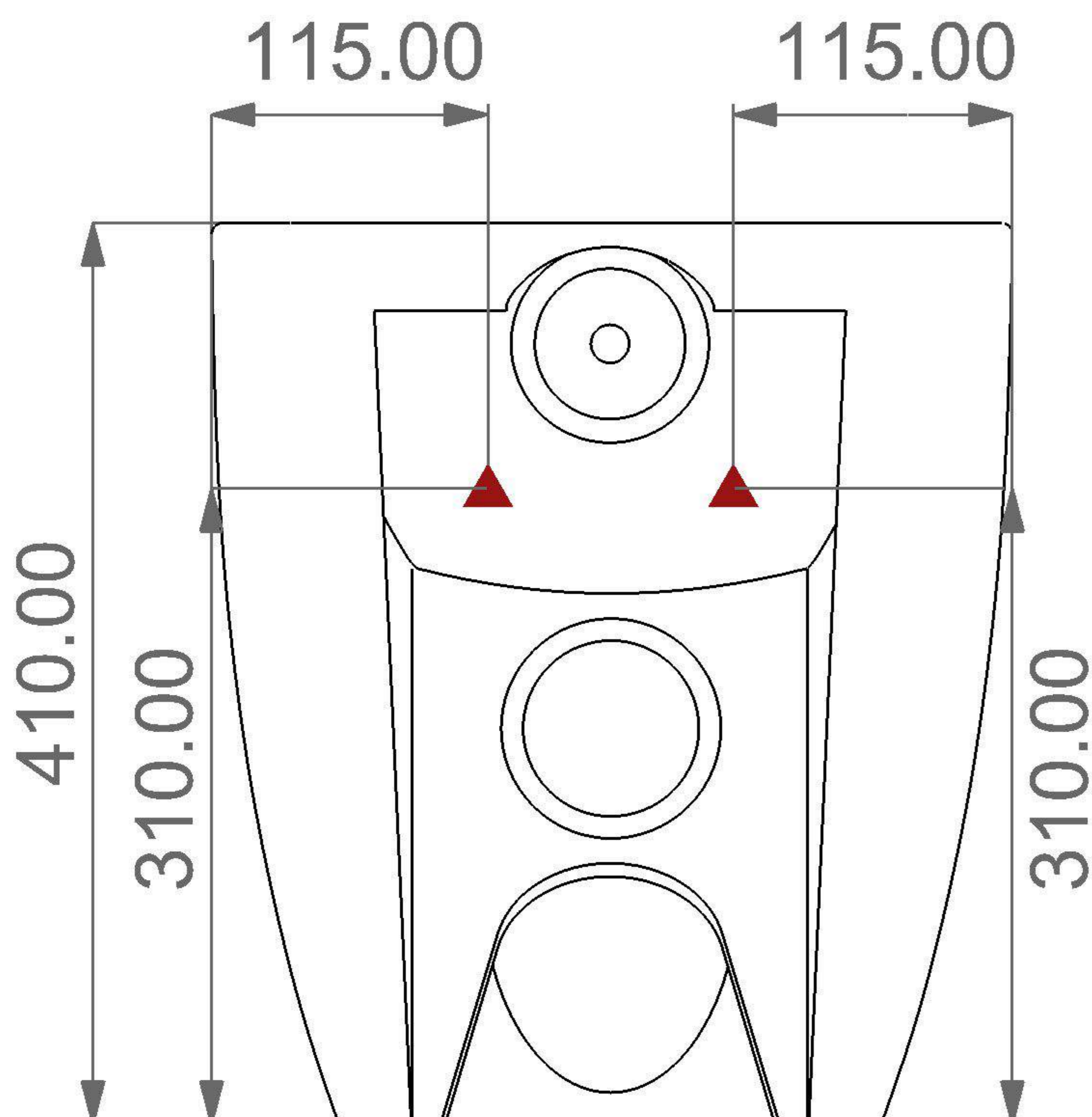
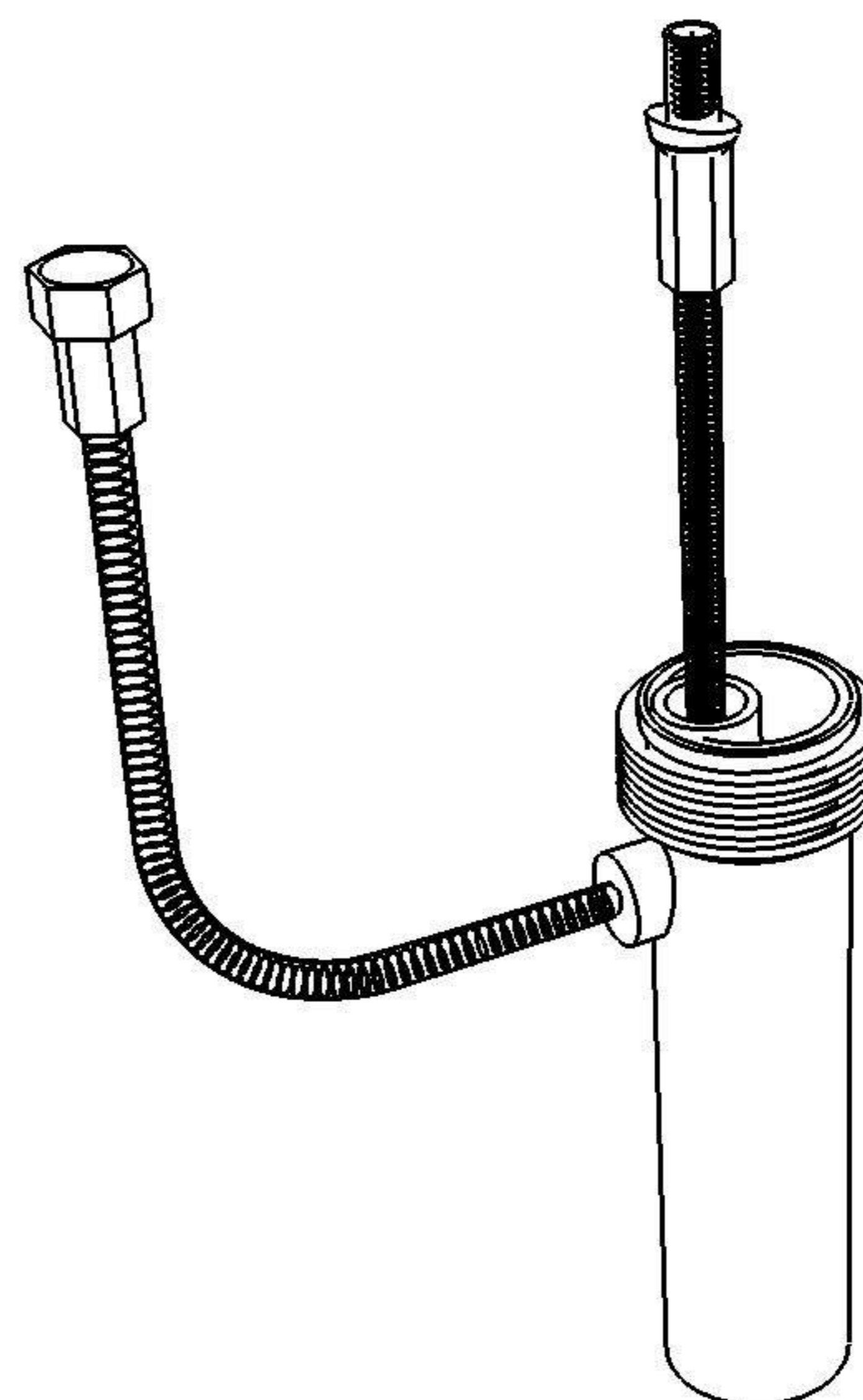
Cod. LKWC01



Dispositivo vaso/bidet

Wc/bidet device

Cod. ACS114



Predisposizione consigliata attacco
acqua, Dx o Sx, in caso di utilizzo
del dispositivo erogazione acqua
per funzione vaso/bidet
(Cod. ACS 114)

*Inlet water connection suggest,
left or right, in case of use of water
supply device for wc/bidet working
(Cod. ACS 114)*

