

FMVCMPE00000  
FMCSMB000000

monoblocco/ close coupled  
cassetta monoblocco/ close coupled cistern

codice  
code



Vaso Forma monoblocco filomuro con scarico a parete.  
Comoda close coupled wc wall/floor trap

bianco lucido/shiny white

FMVCMPE00000BI

Cassetta Forma monoblocco  
Nuvola close coupled cistern

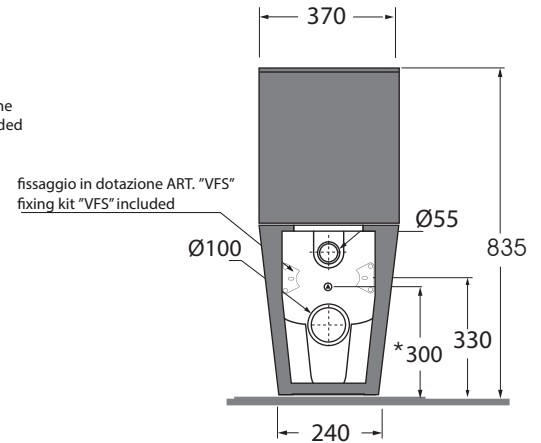
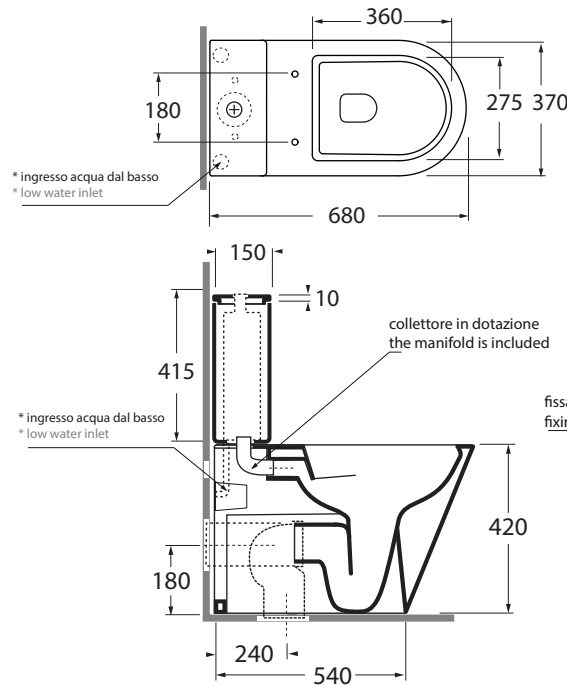
bianco lucido/shiny white

FMCSMB000000BI

CM 54x37xh43

plf italy pz.12 - plf export pcs.20

kg 47



scala/scale 1:20 dimensioni/dimensions in mm

Tecnologie/technologies:



easyclean

Gamma di colori disponibile per vaso e sedile FOR 1800 C/F  
Color range available for wc and wrapover FOR 1800 C/F

COLORS 1250°



Complementi/complements:



Sedile termoindurente con chiusura frizionata a sgancio rapido  
Thermosetting soft close seat cover with quick release  
bianco lucido/ shiny white

Codice  
code

FOR 1800/F



Curva tecnica per vaso normale e monoblocco  
Technical bend for standing and close coupled wc

CVT



Batteria di scarico automatica, attacco basso con pulsante doppio flusso (3/6 lt) cromo/oro/bronzo  
Automatic discharge mechanism, low junction with chrome/gold/bronze double flushing

Codice  
code

COLORS 1250°

B 1900 2F/40



Sedile termoindurente con chiusura frizionata a sgancio rapido disponibile in tutti i COLORS 1250°. Specificare il colore al momento dell'ordine.  
Wrapover with quick release seat-cover for wc available in COLORS 1250° specify the color when ordering.

HER 1800 C/F

TECHNICAL SHEET n°: <b>01</b>	DESIGNER: <b>OFFICINA AZZURRA</b>	CODE: <b>FMVCMPE00000/FMCSMB000000</b>	<b>Azzurra sanitari in ceramica S.p.a.</b> via Civita Castellana snc 01030 Castel S.Elia (VT) - ITALY Tel. +39.0761 518155 Fax. +39.0761 514560	
SHEET FORMAT: <b>A4</b>	ISO	REVISION: <b>01</b>	SCALE: <b>1:20</b>	DATE: <b>05/08/2019</b>
REGULATIONS: <b>EN 997 / EN33 / Dop-997 *</b>				
All the measurements respect the tolerances provided by the "AZZURRA QUALITY GUIDELINES".				



\* Regulations here shown are exclusively referred to ceramic items

FMBIT000000M

sanitari terra / floor mounted sanitary wares

codice  
code



Bidet Forma a terra monoforo.  
Forma floor standing Bidet 1 tap hole.

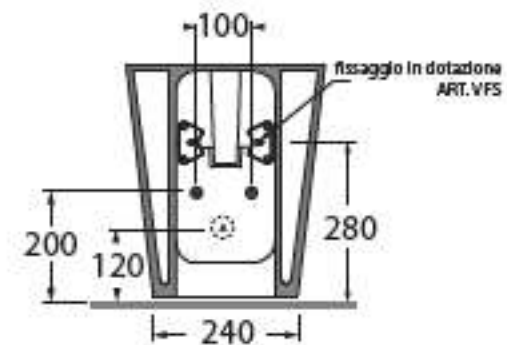
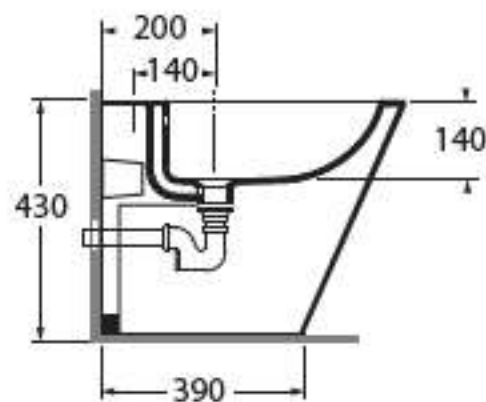
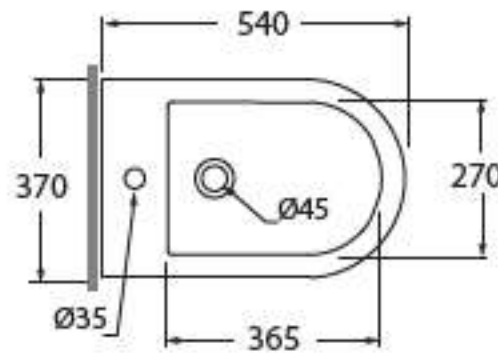
biancolucida/shiny white

FMBIT000000MBI

CM 54x37x43

plf italy pz.12 - plf export pcs.20

kg 24



scala/scale 1:20 dimensioni/dimensions in mm

Disponibili per tutti i prodotti FORMA e per le pilette con tappo in ceramica PILCE.  
Available for all FORMA products and for the free flow ceramic drains PILCE

COLORS 1250\*

