

## ELI 100/S

Vaso scarico a terra  
W.c. with floor trap

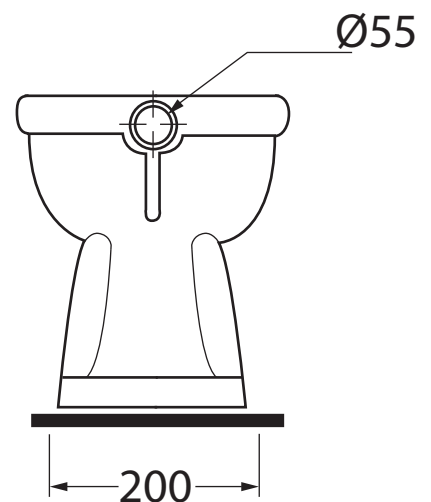
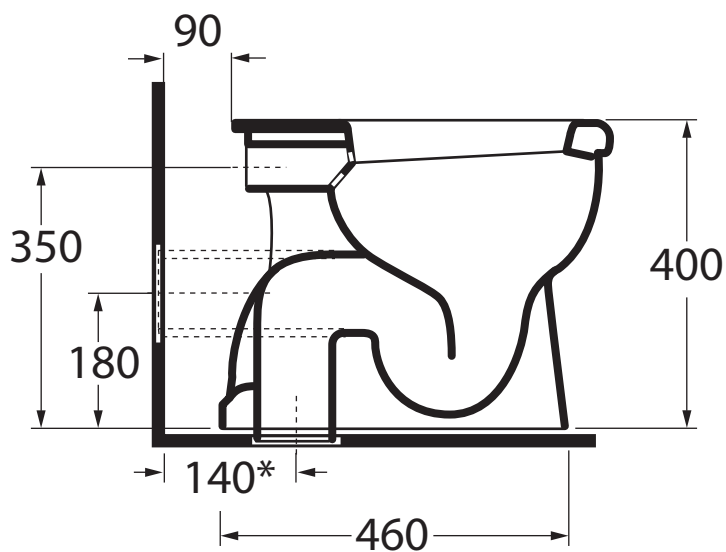
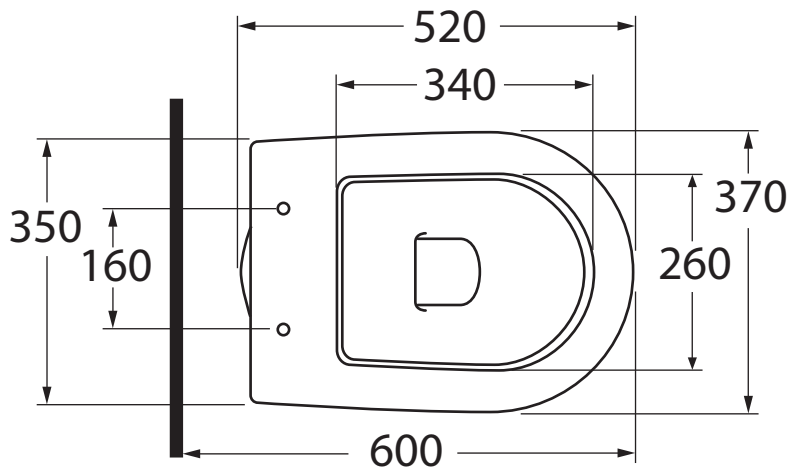
Dimensioni/dimensions: 52x37xH40 cm  
Peso/weight: 20 kg

---

## ELI 100/P

Vaso scarico a parete  
W.c. with wall trap

Dimensioni/dimensions: 52x37xH40 cm  
Peso/weight: 20 kg



\* Misura consigliata  
Advised measure

## ELI 500/M

Bidet monoforo  
One-hole bidet

Dimensioni/dimensions: 55x37xH 40 cm  
Peso/weight: 16 kg

## ELI 500/T

Bidet a tre fori  
Three-hole bidet

Dimensioni/dimensions: 55x37xH 40 cm  
Peso/weight: 16 kg

